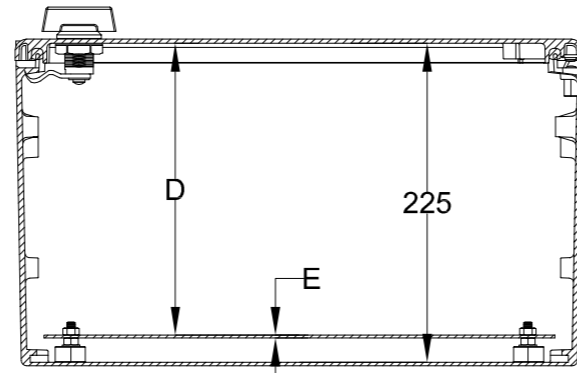
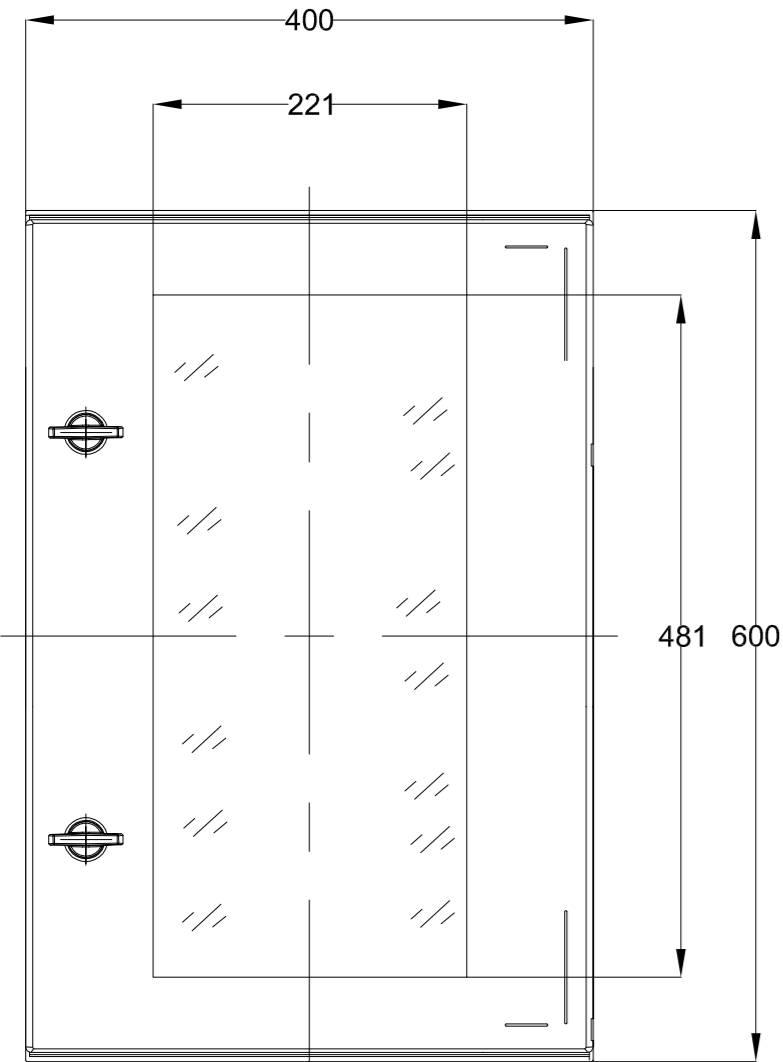
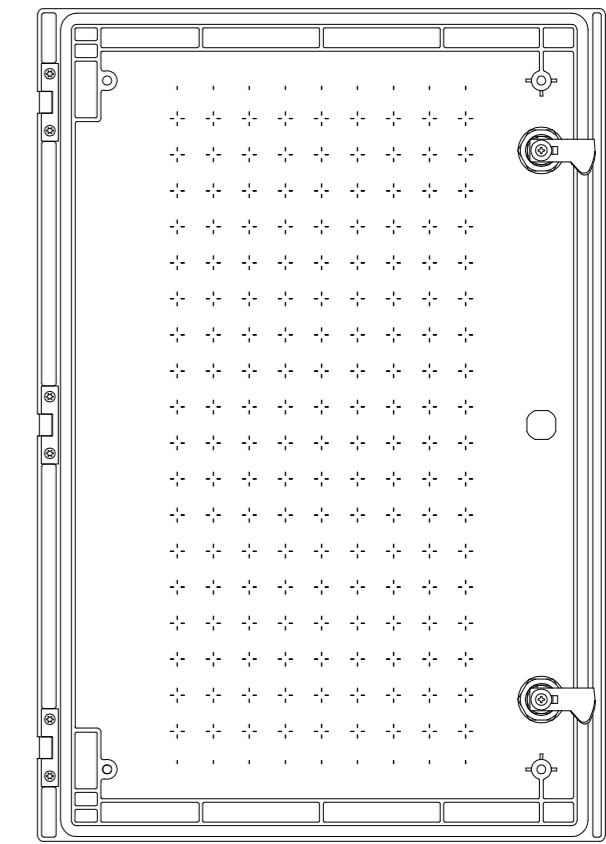
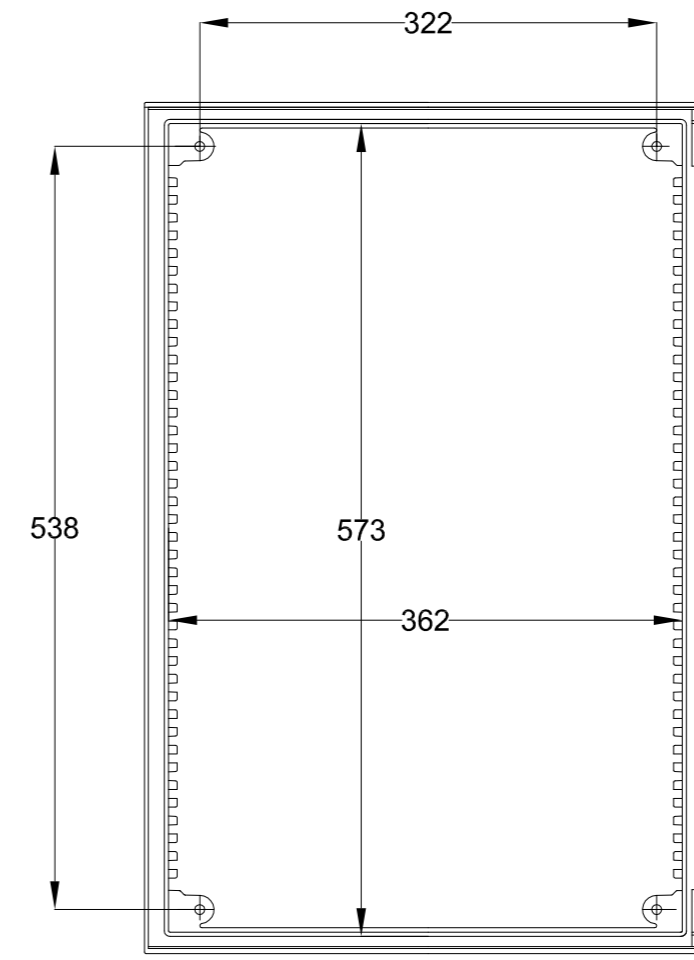
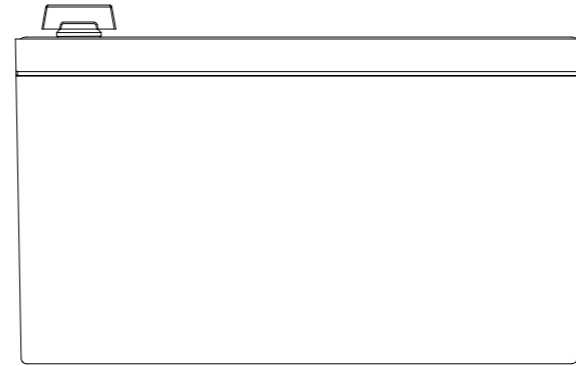


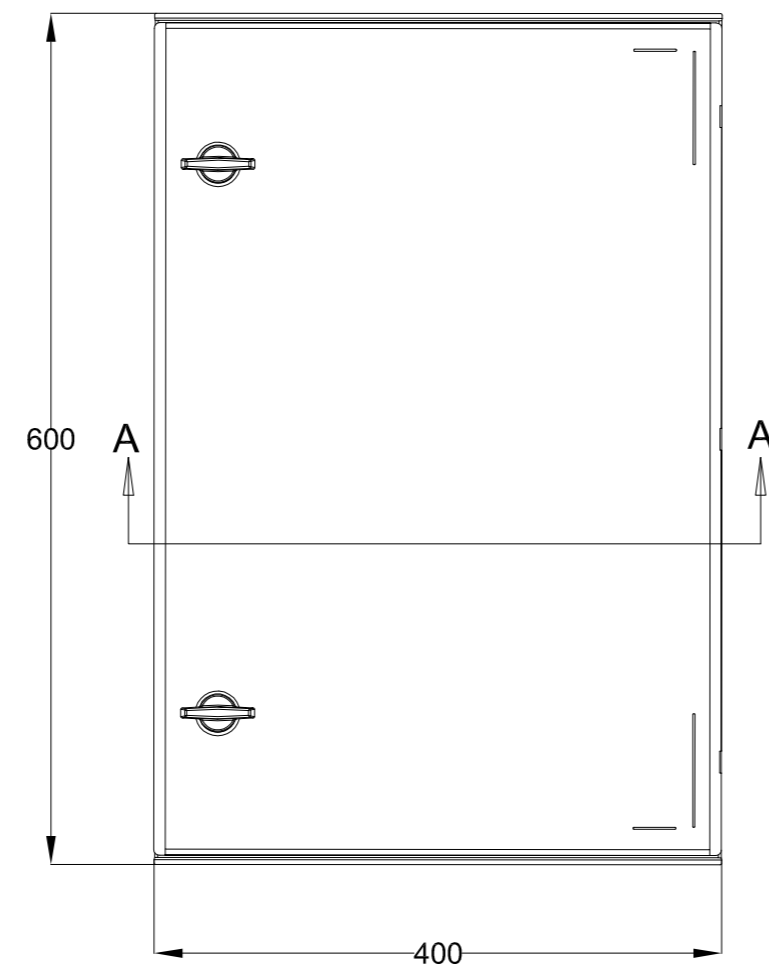
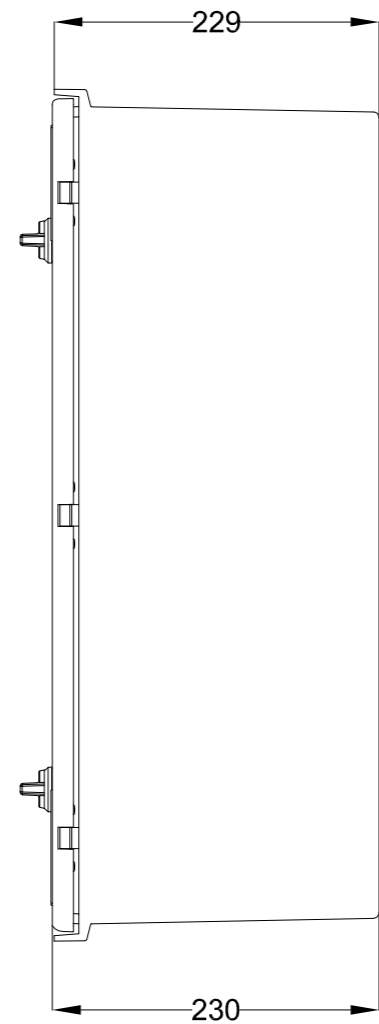
| | D | E |
|---------|--------|------|
| PPL6040 | 203 mm | 4 mm |
| PML6040 | 205 mm | 2 mm |
| PBL6040 | 203 mm | 4 mm |



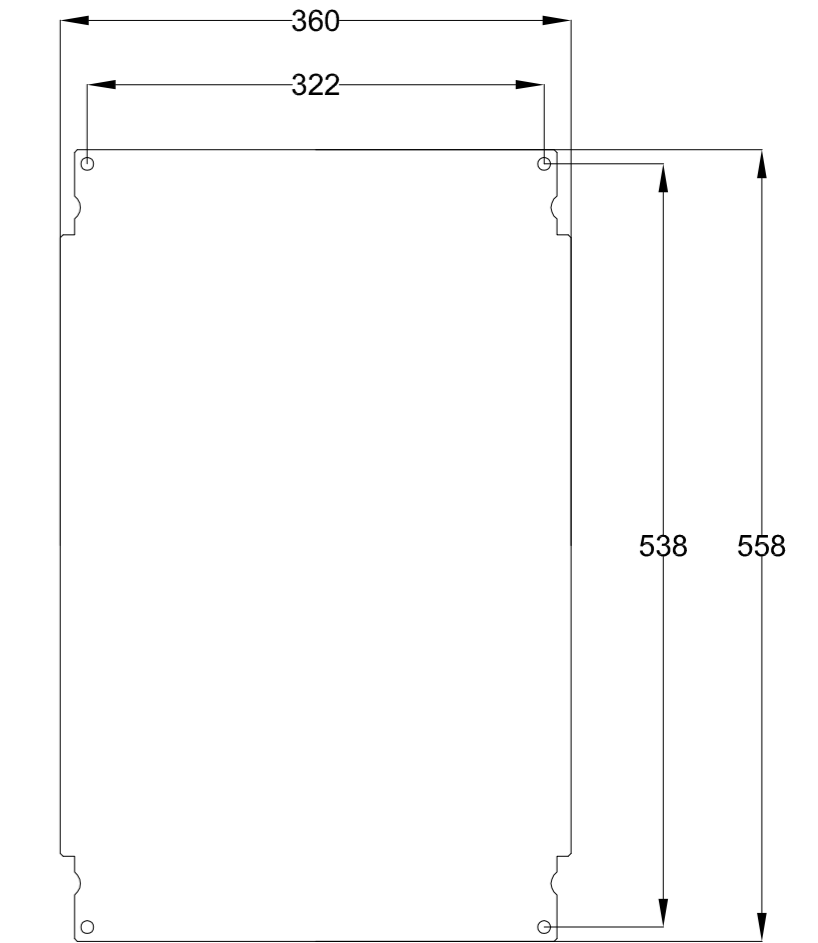
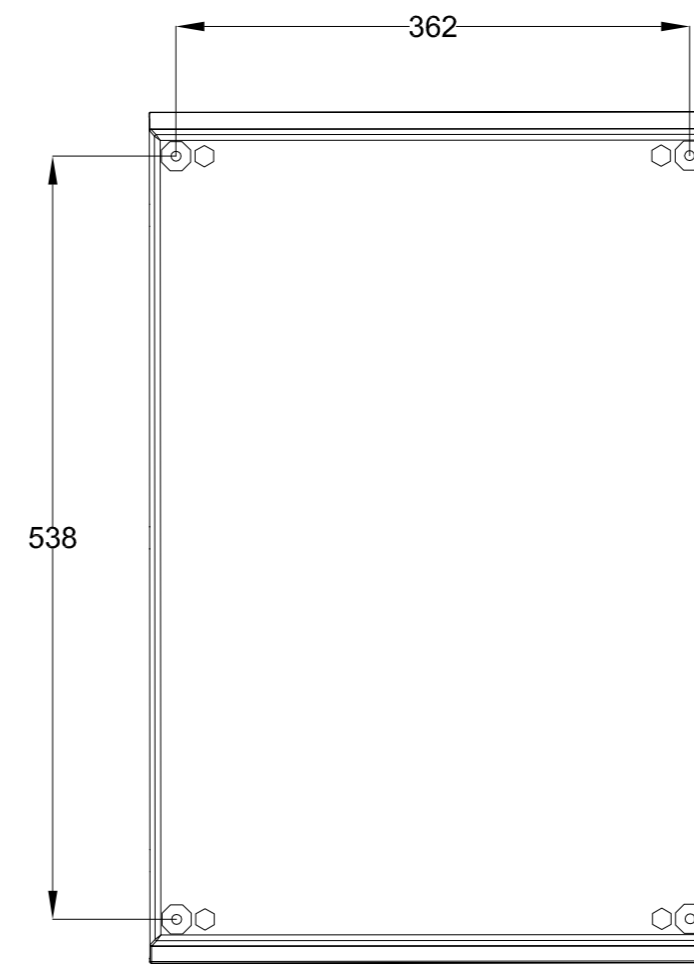
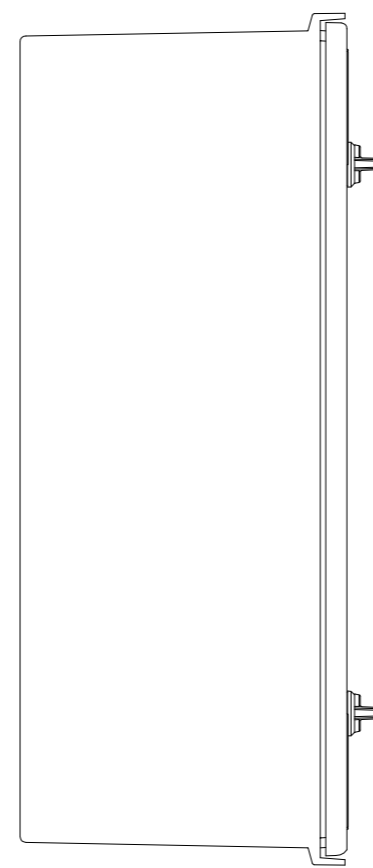
SEC. A-A'




POL604023PT



POL604023



Suministrado sin placa de montaje
 Supplied without mounting plate
 REF: PPL6040 PML6040 PBL6040

| | | | | | |
|--|--|--------------|--------------------------------|---|---------------------|
| MODIFICADO / MODIFIED | NOMBRE / NAME | FECHA / DATE | Nº EDIC. / MODIF. | DESCRIPCION DEL CAMBIO / CHANGE DESCRIPTION | PROYECTO / PROJECT |
| FIRMA / SIGNATURE | C.VICENTE | 03/02/2016 | | DESCRIPCION / DESCRIPTION | POLIESTER |
| DIGITAL | | | | | SUSTITUYE / REPLACE |
| APROBADO / CHECKED | J.P.VERA | 03/02/2016 | | POL604023 POL604023T | |
| HOJA 1 DE 1 / SHEET 1 OF 1 | TOLERANCIAS GENERALES / GENERAL TOLERANCES | | CODIGO DE PLANO / DRAWING CODE | | |
| TAMANO / SIZE | EN 22768-mK | | 699.06.005 | | |
| EDICION / EDITION | 1:1 | | Nº 1 | | |
|  www.ide.es | | | | | |